

**INSTALLER:**  
*Save these instructions  
for owner*

# owner's + operator's manual

**Americh welcomes you** to our family of fine products. We know you will enjoy our craftsmanship, quality and luxury. Please pay special attention to the enclosed information. It will help **insure the safety and longevity** of your Americh bath products.

## IMPORTANT SAFETY INSTRUCTIONS

**pertaining to a risk of fire, electric shock, or injury to persons**

**Warning:** Whirlpool bathtubs utilize acrylic and fiberglass materials (which are inherently slippery surfaces), electricity, water, air pressure and suction. The following basic safety precautions should always be followed when using your bathtub. **CAREFULLY READ AND FOLLOW ALL INSTRUCTIONS before attempting to operate your whirlpool or airbath® Bathtub.**

**1) Prior to Installation:**

- Remove protective plastic and packaging and carefully inspect for any damage.
- Check tub for correct model name, size, color and trim finish.
- **The tub MUST be tested while pump, electrical systems, and piping (plumbing) are accessible.**
- **If there are any issues, do not install and report the issues immediately to our factory or the authorized dealer.**

- 2) Although the bathtub employs a skid resistant bottom surface, caution should always be exercised when entering or exiting the bathtub.
- 3) DANGER: To reduce the risk of injury, do not permit children or persons with a disability to use this unit unless they are closely supervised at all times.
- 4) This product is intended for indoor use only. Use the bathtub only for its intended purpose as described in this manual and do not use attachments or accessories which are not recommended by manufacturer.
- 5) Never drop or insert any objects into any openings.
- 6) Persons with long hair should wear a bathing cap when using the bathtub.
- 7) Do not use the bathtub without the suction cover in place to prevent body and hair entrapment.
- 8) The bathtub must be connected to an electrical supply circuit that is protected by a ground fault circuit interrupter (GFCI) which is provided by the installer. The GFCI should be tested periodically to ensure that it is working properly.

- 9) Keep all appliances, such as radios and hair dryers, a safe distance from the bathtub.
- 10) For permanently connected units, green colored terminal (or a wire connector marked "G", "GR", "Ground", or "Grounding") is provided within the terminal compartment. To reduce the risk of electrical shock, connect this terminal or connector to the grounding terminal of your electrical service or supply panel with a conductor equivalent in size to the circuit conductors supplying this equipment.
- 11) Failure to comply with all instructions, requirements and warnings contained in this manual creates a serious hazard to the bathtub user and may result in serious personal injury.

## SAVE THESE INSTRUCTIONS

**Warning:** The causes, symptoms, and effects of hyperthermia may be described as follows: Hyperthermia occurs when the internal temperature of the body reaches a level several degrees above the normal body temperature of 98.6. The symptoms of hyperthermia include an increase in the internal temperature of the body, dizziness, lethargy, drowsiness, and fainting. The effects of hyperthermia include (1) failure to perceive heat, (2) failure to recognize the need to exit the spa or hot tub, (3) unawareness of impending hazard, (4) fetal damage to pregnant women, (5) physical inability to exit the spa or hot tub, and (6) unconsciousness resulting in the danger of drowning.

**Warning:** The use of alcohol, drugs, or medication can greatly increase the risk of fatal hyperthermia.

# INSTALLATION INSTRUCTIONS

**Americh baths are assembled complete and ready for installation. Immediately upon receiving the bath and removal of packing, INSPECT the unit for freight damage. Any claims for damage, whether apparent or hidden, must be made to freight carrier immediately, in order for them to assume all associated costs. Should inspection reveal any defect in the finish, DO NOT INSTALL THE BATH. Damage or defect to the finish claimed after the bath is installed is excluded from the warranty. The warranty DOES NOT cover labor or materials to remove or re-install the bath.**

## PRIOR TO INSTALLATION

Check to ensure that:

1. The installation will conform with all applicable Federal, State and Local Building Codes & Regulations;
2. The unit is the correct model and color;
3. There has been no shipping damage;
4. The "notice" or "warning" tags on the bathtub have been read and thoroughly understood;
5. The interior of the tub will be protected during installation;
6. Make sure sub floor is level.

## DURING INSTALLATION

Check to ensure that:

1. Bathtub is not hanging from the rim. Bath must be supported from the floor (See Figure 1, Page 4.)
2. An access panel with minimum dimensions of 16" height by 20" width is required at the pump end of the bathtub to allow for pump accessibility in the event that maintenance or servicing is necessary. The area surrounding the pump must have sufficient air movement.
3. All Bathtubs with seats must have additional support for each seat.

4. All building materials and wiring should be routed away from the pump body or other heat producing components of the unit.
5. Bathtubs with combination whirlpool and Airbath systems may require 2 access panels with minimum dimensions of 16" height by 20" width.

## ELECTRICAL REQUIREMENTS

Manufacturer recommends a dedicated 20 amp circuit breaker for each power cord supplied on your whirlpool bathtub. **DANGER: RISK OF ELECTRIC SHOCK.** The unit must be connected only to a supply circuit that is protected by a GFCI and should be tested on a routine basis.

1. Supply 110 Volt electrical outlet. This circuit must be protected by a ground fault circuit interrupter (GFCI.)
2. Plug supply cord(s) into electrical outlet.
3. To test the GFCI, do the following:
  - a. Push the test button;
  - b. Check to see that power has been interrupted;
  - c. Push the reset button;
  - d. Check to see that power has been restored.

If the GFCI does not operate properly during the test, there is a ground current flowing indicating the risk of electric shock. Do not use this unit. Disconnect the unit and have the problem corrected by a qualified service representative before using.

# BATHTUB INSTALLATION >>

Choose the installation option that applies to your particular installation and follow the instructions. Be sure to take any necessary precautions to keep tub protected during installation.

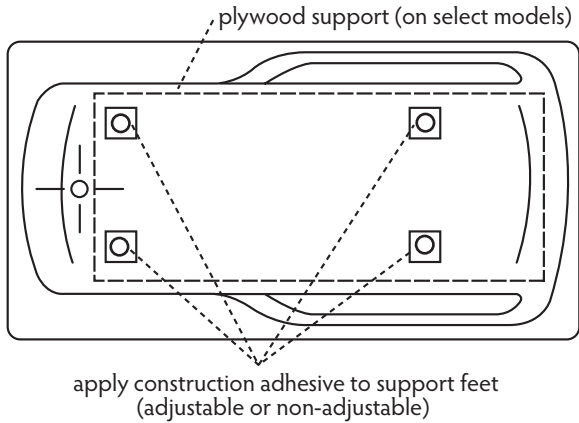


figure 1

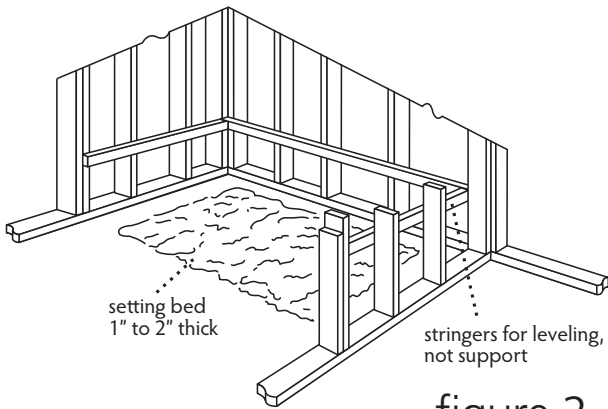


figure 2

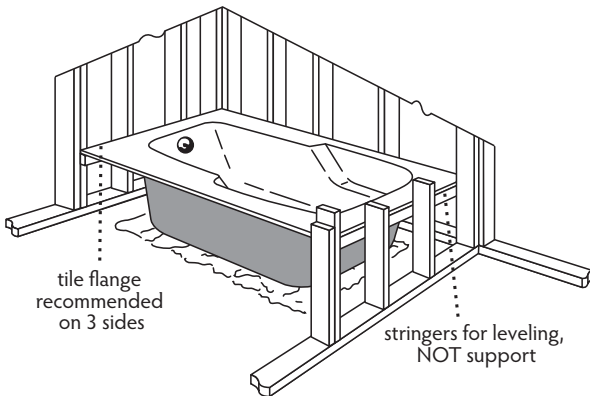


figure 3

## UNITS WITH SUPPORT FEET (adjustable or non-adjustable)

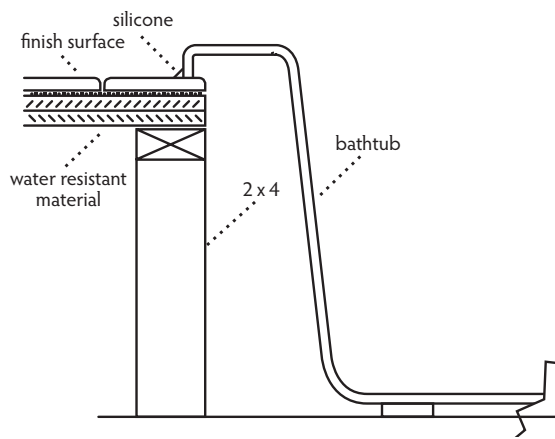
1. If subfloor is not level, non-adjustable support feet may need shimming.
2. Tubs with adjustable support feet can be leveled by turning feet to level.
3. Apply a generous amount of construction adhesive to the bottom of the support feet. Set the bath in the desired location. (figure 1)
4. Verify that the bathtub is level in both directions and resting on all four feet.

## UNITS WITH PLYWOOD SUPPORT

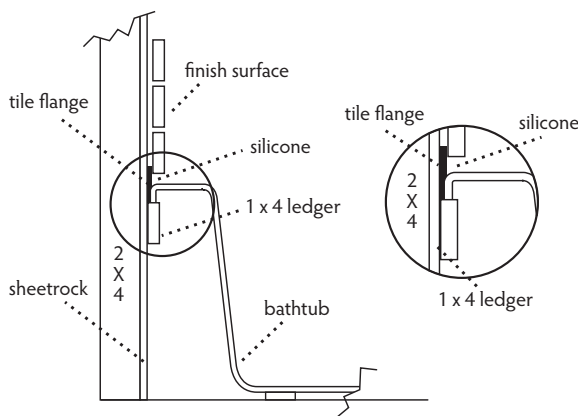
1. If subfloor is not level, some shimming of the tub will be required.
2. Apply a generous amount of construction adhesive to the bottom of the plywood. Set the bath in the desired location. (figure 1)
3. Verify that the bathtub is level in both directions.

## UNITS WITHOUT SUPPORT FEET

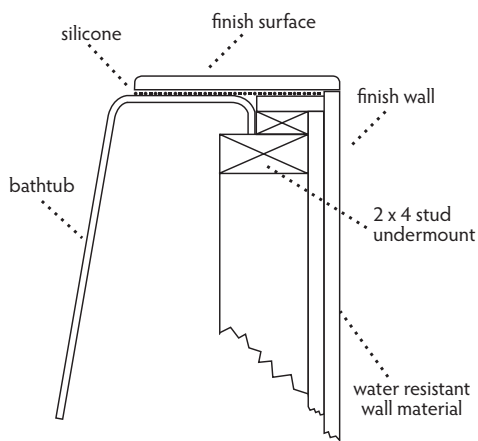
1. Prepare tub setting bed using lightweight cement, plaster, gypsum or fix-all bed approximately 1" or 2" thick (figure 2).
2. Place the tub in the proper position using the floor, not the deck or rim, as the support, and set it in the bedding compound (figure 3).



drop in deck mount figure 4



wall installation figure 5



undermount figure 6

## COMPLETE BATH INSTALLATION

Level the top of the bathtub in both directions, using a 4 ft. level, to ensure drainage. Bring the tile or finished surface to tub deck and then seal. Seal edges as shown (See Figures 4, 5 or 6.)

## CLEAN-UP AFTER INSTALLATION

When cleaning up after installation, do not use abrasive cleaners as they may scratch and dull the surface. Use warm water and a liquid non-abrasive detergent to clean the surface.

Stubborn stains, paint or tar can be removed with turpentine or paint thinner. Do not allow cleaners containing petroleum distillates to remain in contact with bath surface for long periods of time. Plaster can be removed by scraping with a wood edge. Do not use metal scrapers, wire brushes, or other metal tools.

## TESTING OPERATIONS

To check proper function of your newly installed Whirlpool/Airbath®, take the following steps:

1. Remove all debris and residue before filling the tub with water
2. Fill the tub with water until the highest whirlpool jet is covered by at least 2" of water (do not run pump without water in the tub.)
3. Examine tub and system carefully for leaks.
4. Position eyeballs downward (Whirlpool only).
5. Turn on system and allow tub to run approximately 2-3 minutes (Whirlpool only).
6. Allow water to sit for 10 minutes and check for leaks.
7. Repeat Step 5 to assure pump is priming properly.
8. Open drain and empty tub.
9. Wipe up excess water with a soft, damp sponge.

When cleaning up after installation do not use abrasive cleaners, steel wool, scouring pads or harsh chemicals. For cleaning procedures refer to the "Care and Maintenance" section.

# FREESTANDING INSTALLATION

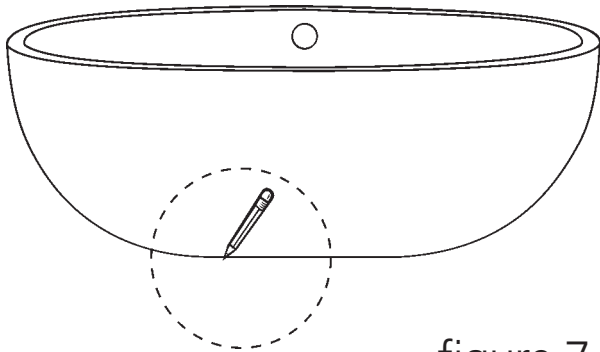


figure 7

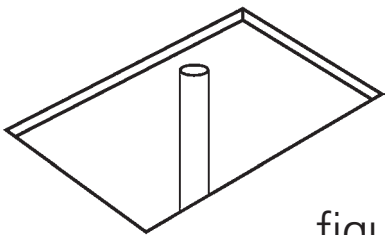


figure 8

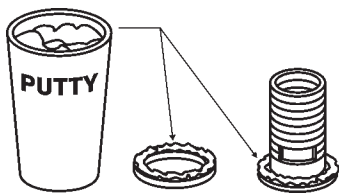


figure 9

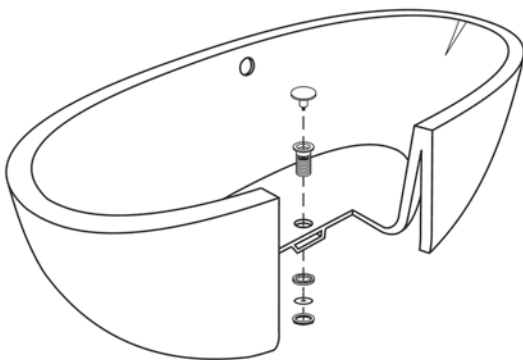


figure 10

## PREPARATION

1. Clean, level, and prepare the floor for installation.
2. Place the unit in the exact installed position on the floor and trace the outline of the bath with a pencil or any erasable marking (figure 7).
3. Determine the location of the drain pipe, and air line (on units with Airbath Systems) on the floor by taking measurements of the drain and waste location underneath the unit (figure 8).

*Note: Drain and waste locations will vary by model.*

4. Using a blanket, cardboard, or other clean protective surface, turn the unit on its side so that the unit is properly supported during drain installation.
5. Clean the drain hole area in preparation of setting the drain. The area should be dry and free of any debris.

## INSTALL DRAIN HARDWARE

6. Apply a bead of clear silicone or plumbers putty around the Drain Body and pass it through the drain hole (figure 9).
7. Apply plumbers putty to the Washer and slide it over the bottom of the Drain Body (figure 9).
8. Slide the paper washer over the drain body.
9. Attach the Drain Body Nut on the Drain Body and tighten until the Nut and Washer have created a seal with the bottom of the bathtub. **DO NOT OVERTIGHTEN** (figure 10).

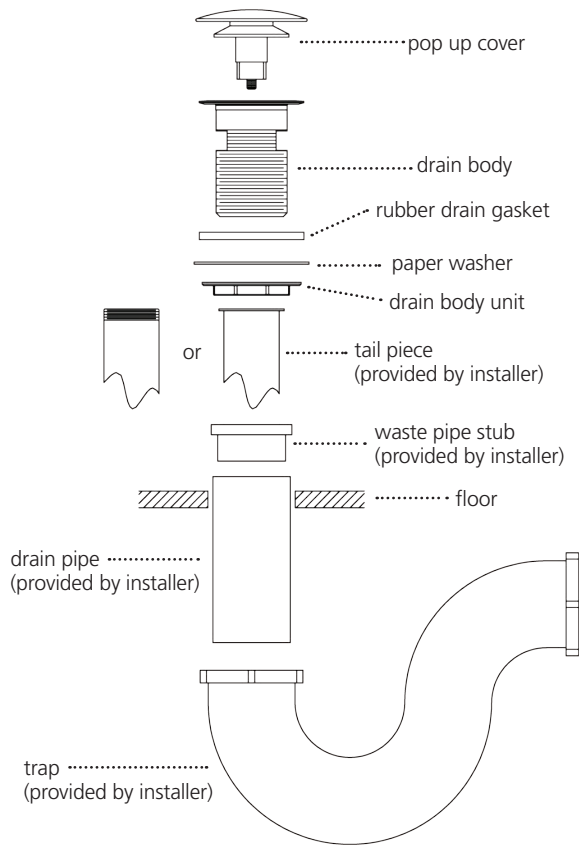


figure 11

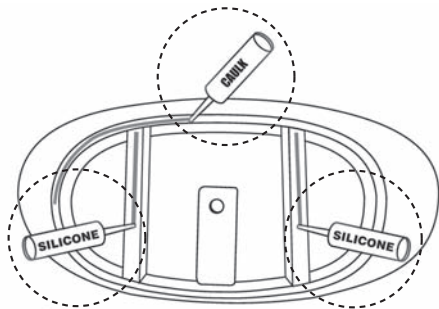


figure 12

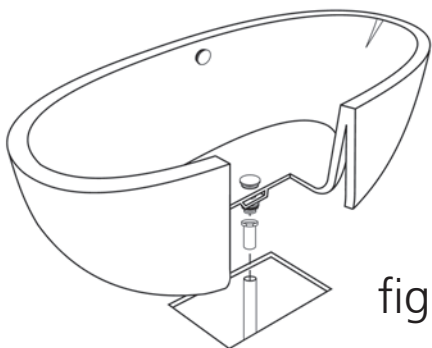


figure 13

## PREPARE TAIL PIECE

All parts involved in tail piece installation are provided by the installer.

10. Drain waste vent must always be installed according to local standard. Verify the placement of the bathtub before drilling the hole for the drain waste vent.
11. Install 1 1/2" rubber slip gasket over the drain waste vent.
12. Cut tail piece to desired length (will vary for each installation).
13. Slide tail piece nut over tail piece towards flanged end.
14. Connect tail piece assembly to waste vent.
15. Place flange washer on top of tail piece.

## INSTALL BATHTUB

17. Apply a generous bead of adhesive or silicone to the bottom of the tub supports (figure 12).
18. Then apply a bead of tub and tile caulk around the edge of the base (figure 12).
19. **Carefully** set tub into position (figure 13) and connect the drain hardware (previously installed). Finish the installation of the tail-piece installation.

# FREESTANDING INSTALLATION

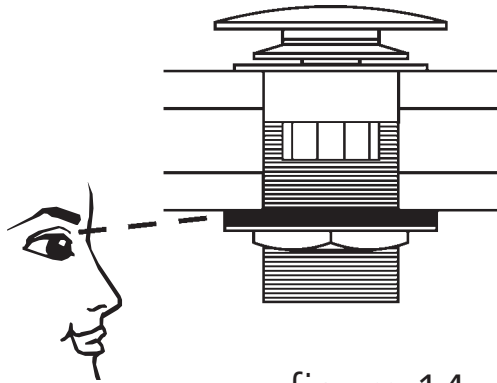


figure 14

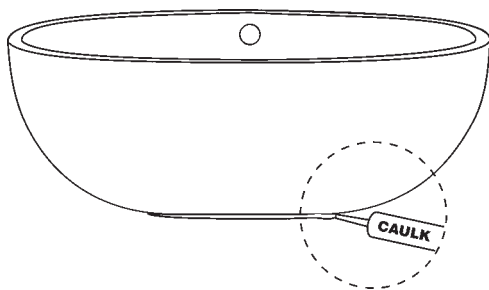


figure 15

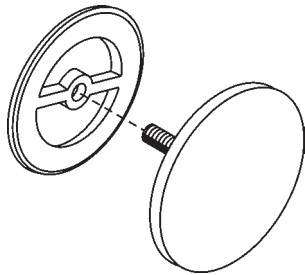


figure 16

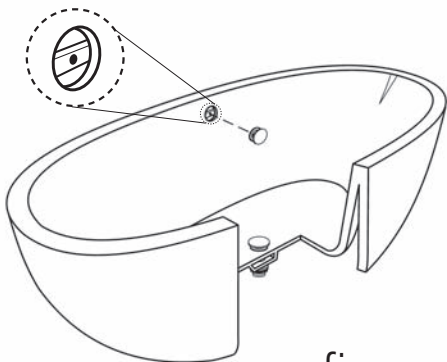


figure 17

## COMPLETE BATHTUB INSTALLATION

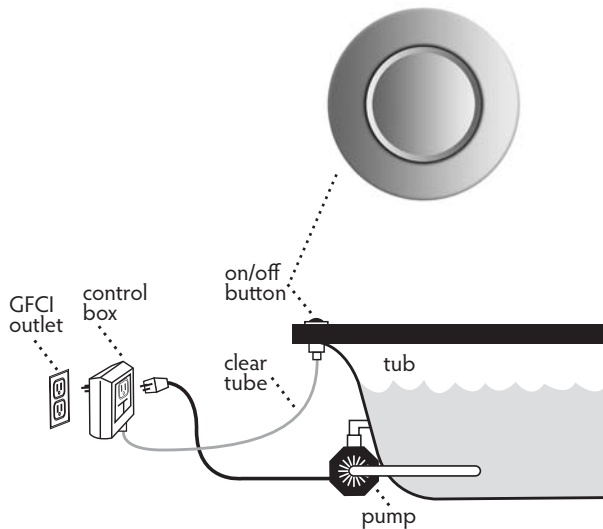
20. Fill the tub with water to the overflow and then drain the tub while inspecting the waste connections below the floor for leaks. Access from below will be necessary for this step (figure 14).
21. With the bathtub now in place, wipe off any excess tub and tile caulk and adhesive where the tub meets the floor.
22. Run a bead of tub and tile caulk around the bottom edge of the bathtub where it meets the floor. Wipe off any excess caulk with a wet cloth (figure 15).

## INSTALL OVERFLOW HARDWARE

23. Place the Back Plate over the screw of the overflow cover (figure 16).
24. Then, align the Overflow Cover with the Bar (installed at the factory) in the overflow hole (figure 17).
25. Carefully hand tighten the Overflow Cover until it stops. **DO NOT OVER TIGHTEN**

# OPERATING INSTRUCTIONS

## BUILDER SERIES



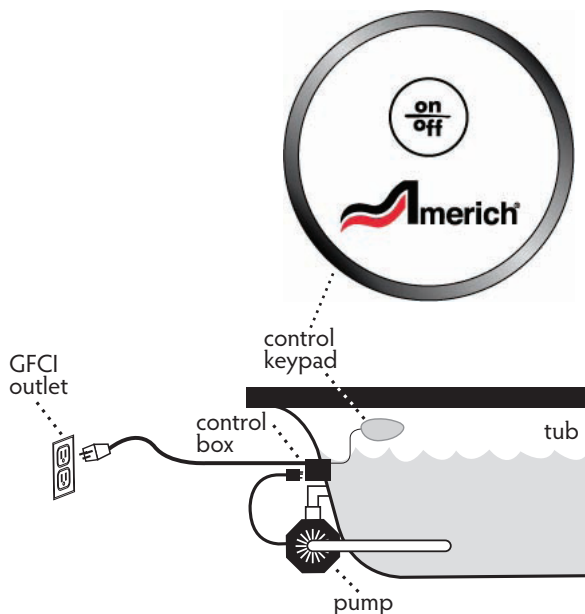
*Always use dedicated outlets for each power supply.*

The Builder Series whirlpool is equipped with an On/Off Button (fill tub until the highest jet is covered by at least 2" of water. Do not run pump without water in the tub.)

1. Press the Button to start the pump.
2. Press a second time to stop the pump.  
The Control Box is manufactured with a 10 minute timer that will turn off the unit automatically. To continue your bath, simply push the Button to repeat the cycle.

Note: If OPTIONAL built in water level sensor is installed on your tub, fill the tub with water until the water level sensor pad is covered. Now you can press the Button to start the pump.

## LUXURY SERIES



*Always use dedicated outlets for each power supply.*

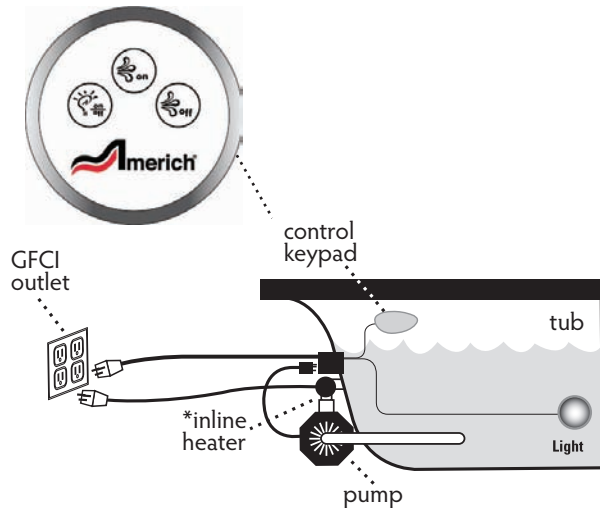
1. Press the Button to start the pump.
2. Press a second time to stop the pump.  
The Control Box is manufactured with a 20 minute timer that will turn off the unit automatically. To continue your bath, simply push the Button to repeat the cycle.

### Water Level Sensor

If water falls below water level sensor while pump is on, the system will turn OFF.

# OPERATING INSTRUCTIONS

## PLATINUM SERIES OR LUXURY SERIES + LIGHT



*\*In-line heater is included on all Platinum series and is an optional accessory for Luxury & Builder series.*

*Always use dedicated outlets for each power supply.*



---

### Water Level Sensor

If water falls below water level sensor while blower is on, the system will turn OFF.

---

### Chromotherapy

**1st Press:** Auxiliary equipment ON > White

**2nd Press:** Slow rainbow cycle

**3rd Press:** Fast rainbow cycle

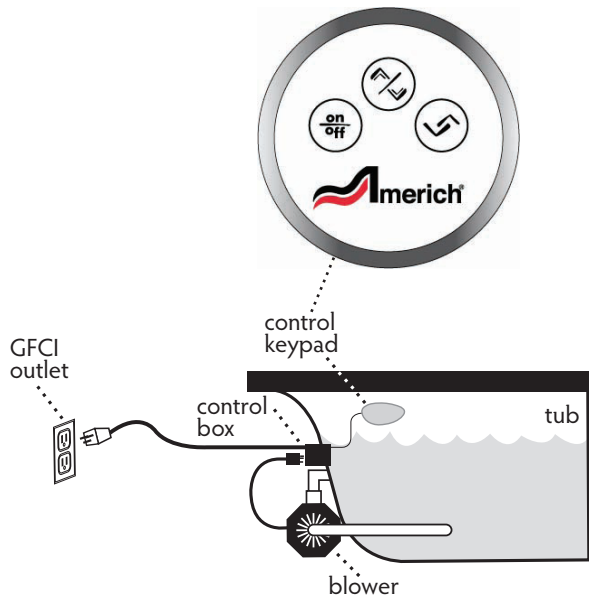
**4th Press:** Turquoise, Blue, Magenta, Red, Orange, Yellow, Green

**Return to slow rainbow cycle**

**Press and Hold 1 sec.:** Auxiliary equipment OFF

# OPERATING INSTRUCTIONS

Airbath®



Always use dedicated outlets for each power supply.



## On/Off Key

**1st Press:** The blower starts at 50%

**2nd Press:** The blower stops



## System Speed

**1st Press:** Press and hold to increase the blower speed, release pressure at the desired speed.

**2nd Press:** Press and hold to decrease the blower speed, release pressure of the desired speed.



## Wave Mode (for Airbath only)

**1st Press:** Wave - Speed will vary gradually from maximum to minimum.

**2nd Press:** Pulse - Speed will go directly to minimum and then straight back to maximum.

**3rd Press:** Returns to maximum speed.

## Water Level Sensor

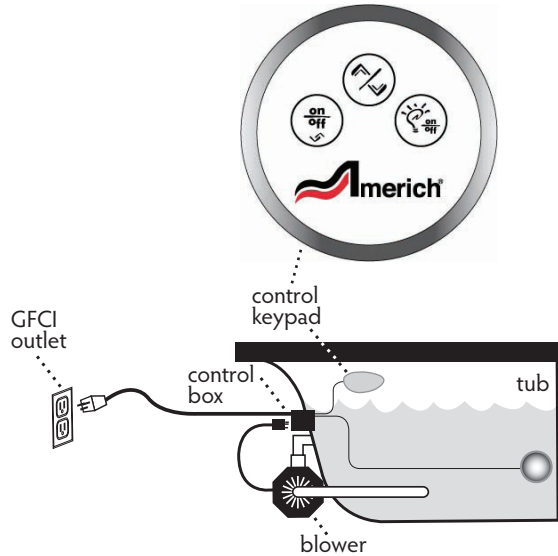
If water falls below water level sensor while blower is on, an automatic purge will initiate in thirty minutes to dry the air channels.

## Automatic Purge

Thirty minutes after the water falls below the water level sensor the blower will start again for a one-minute purge cycle allowing piping to thoroughly dry.

# OPERATING INSTRUCTIONS

## AIRBATH® + LIGHT



Always use dedicated outlets for each power supply.



### On/Off Key

- 1st Press:** The blower starts at 50%.
- 2nd Press:** The blower stops.

*While the blower functions press and hold*

- 3 sec.:** Wave - Speed will vary gradually from maximum to minimum
- 6 sec.:** Pulse - Speed will go directly to minimum and then straight back to maximum.



### System Speed

- 1st Press:** Press and hold to increase the pump speed, release pressure at the desired speed.
- 2nd Press:** Press and hold to decrease the pump speed, release pressure of the desired speed.



### Chromotherapy

- 1st Press:** Auxiliary equipment ON > White
  - 2nd Press:** Slow rainbow cycle
  - 3rd Press:** Fast rainbow cycle
  - 4th Press:** Turquoise, Blue, Magenta, Red, Orange, Yellow, Green
- Return to slow rainbow cycle
- Press and Hold 1 sec.:** Auxiliary equipment OFF

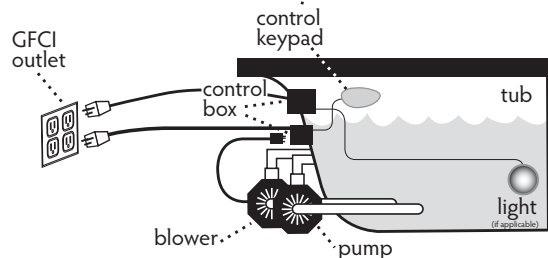
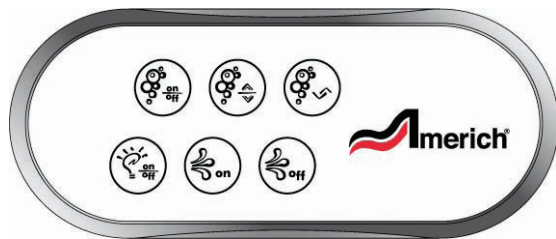
### Automatic Purge

*\*(only available with models equipped with Airbath™)*

Thirty minutes after the water falls below the water level sensor the blower will start again for a one-minute purge cycle allowing piping to thoroughly dry.

# OPERATING INSTRUCTIONS

## COMBO SERIES + LIGHT



\*In-line heater will require additional cord (included on all platinum combos.)

Always use dedicated outlets for each power supply.



### Blower On/Off

- 1st Press:** The blower starts at 50%
- 2nd Press:** The blower stops.



### Blower System Speed

- 1st Press:** Press and hold to increase the blower speed, release pressure at the desired speed.
- 2nd Press:** Press and hold to decrease the blower speed, release pressure at the desired speed.



### Blower Wave Mode

- 1st Press:** Wave - Speed will vary gradually from maximum to minimum.
- 2nd Press:** Pulse - Speed will go directly to minimum and then straight back to maximum.
- 3rd Press:** Returns to maximum speed.

### Pump On/Off



The pump starts



The pump stops



### Chromotherapy

- 1st Press:** Auxiliary equipment ON > White
- 2nd Press:** Slow rainbow cycle
- 3rd Press:** Fast rainbow cycle
- 4th Press:** Turquoise, Blue, Magenta, Red, Orange, Yellow, Green

Return to slow rainbow cycle

**Press and Hold 1 sec.:** Auxiliary equipment OFF

### Water Level Sensor

If water falls below water level sensor while pump is on, the system will turn OFF.

If water falls below water level sensor while blower is on, an automatic purge will initiate in thirty minutes to dry the air channels.

### Automatic Purge

Thirty minutes after the water falls below the water level sensor the blower will start again for a one-minute purge cycle allowing piping to thoroughly dry.

Each system will automatically stop after 20 minutes.

## CARE AND MAINTENANCE

Soap residues and mineral deposits are the enemies of your bathtub, particularly in areas where there is hard water. However, cleaning your bathtub at regular intervals and using proper cleaning agents, you can help your bathtub retain its original sparkling look. DO NOT USE abrasive cleaners, as these products will damage the bathtub surface and metallic finishes. A non-abrasive cleaner is recommended.

Your bathtub does not require the use of special cleaning agents or chemicals.

Normal cleaning is simple and easy. Just use warm water, a soft sponge and mild liquid detergent or non-abrasive cleaner to wipe the surfaces clean, then rinse thoroughly.

To preserve the surface finish, annual waxing is recommended. Use a high-grade paste-type automotive wax.

Manufacturer recommends the use of Jet Fresh® to maintain your whirlpool or Airbath system.

## TECHNICAL SERVICE

For technical service or field service, you must:

1. Locate the product identification tag (located on bathtub near pump or overflow). This tag includes all pertinent information specific to your product, including the model, size, color, date of manufacture and ID number.
2. Write down all information and have available when contacting the manufacturer.

The manufacturer maintains strict guidelines for field service and will require this information in order to facilitate your request and determine if a field service representative is required.

---

## CONFIGURATION SHEET

	FACTORY INSTALLED	FIELD INSTALLED
Blower	X	X
Electronic Control	X	
Heater	X	
Light	X	
Low Water Protection	X	
Pump	X	X
Supply Cord	X	

*See installation instructions provided with options that are field installable.*

## LIMITED WARRANTY

Americh Corp. warrants that its bathtubs are free of defects in manufacture and materials so long as (1) the bathtub is installed and maintained according to Americh Corp. recommended installation and maintenance procedures, (2) use of the bathtub is limited to personal, family or household purposes and (3) any defects are not the result of unauthorized or unreasonable use.

This warranty applies only to the first consumer purchaser and is limited in time from the date of original purchase for a period of twenty (20) years with respect to the bathing vessel and twelve (12) months with respect to the electronics, system harness, and accessories. This warranty does not apply to subsequent owners, transferees or users.

This warranty does not apply to or cover defects, damage or failure caused by the freight carrier, installer, user or other person, or resulting from, without limitation, any of the following: improper handling, modification of any type, improper installation, misuse, incorrect operation, lack of proper routine maintenance, the use of improper cleaners or abrasives, accidents or acts of God. Nor does it apply to effects of normal wear and tear.

Alteration, customization or modification of the tub, the water system, the electronics, any accessory or any other part voids this warranty.

If a defect or malfunction is discovered during normal residential use notify Americh Corp. in writing within ten (10) days of discovery, setting forth the date of discovery, a description of the defect or malfunction, the name and address of the installer of the bathtub, electronics and accessories and the date and address of installation and the type or style of the bathtub. Americh Corp., will, at its election, repair, replace or make appropriate adjustments. In all cases a reasonable time must be allowed for commencement and completion of warranty repairs.

Americh Corp. is not responsible for labor charges or other charges related to the removal or installation

or other costs involved in repairing or replacing the bathtub or the expense of shipment to or from the factory, except where provided by applicable law.

To obtain information about or performance of warranty obligations contact Americh Corp. 13212 Satcoy Street, North Hollywood, CA 91605 or by calling (818) 982-1711 and asking for Customer Service.

No other company or person has any authority to make any warranties or representations concerning Americh Corp. or the product. Accordingly, Americh Corp. is not responsible for any such warranties or representations.

**THIS LIMITED WARRANTY IS THE SOLE WARRANTY FOR YOUR AMERICH CORP. PRODUCT AND IS IN LIEU OF ALL OTHER WARRANTIES, EXPRESS OR IMPLIED.**

**AMERICH CORP. HAS NOT MADE AND DOES NOT MAKE ANY WARRANTY OR REPRESENTATION, WHATSOEVER, EXPRESS OR IMPLIED, ABOUT THE CONDITION, MERCHANTABILITY, DESIGN, OR OPERATION OF THE BATHTUB OR ITS FITNESS FOR ANY PARTICULAR USE OR PURPOSE, OR THE QUALITY OF THE MATERIALS OR WORKMANSHIP IN THE BATHTUB, THE ELECTRONICS OR THE ACCESSORIES OR ANY OTHER REPRESENTATION OR WARRANTY BEYOND THE TERMS OF THIS LIMITED WARRANTY.**

**AMERICH CORP. DISCLAIMS AND SHALL NOT BE LIABLE FOR ANY SPECIAL, INCIDENTAL OR CONSEQUENTIAL DAMAGES.**

**SOME STATES DO NOT ALLOW THE EXCLUSION OR LIMITATION, IN WHOLE OR IN PART, OF WARRANTIES OR THE EXCLUSION OF SPECIAL, CONSEQUENTIAL OR INCIDENTAL DAMAGES. THEREFORE, THE ABOVE LIMITATIONS OR EXCLUSIONS MAY NOT BE APPLICABLE TO YOU.**

*November, 2010*

**in compliance with**

ANSI Z124.1 - 1995    ANSI A112.19.7 - 1987

ANSI A112.19.8 - 1987 ASTM F468 - 79 (85)

City of Los Angeles    M980036 and M820132

**listed by**



Electrical & Plumbing



Electrique & Plomberie



**Made in USA**



**West Coast**  
13212 Saticoy Street  
N. Hollywood, CA 91605  
818.982.1711 Tel  
818.982.2764 Fax

**East Coast**  
10700 John Price Road  
Charlotte, NC 28273  
704.588.3075 Tel  
704.588.3166 Fax

800.453.1463  
[www.americh.com](http://www.americh.com)  
[mkt@americh.com](mailto:mkt@americh.com)