



Shower Bases

Care & Installation Instructions

Thank you

for choosing Americh. The model you have chosen is one from a distinctive family of shower bases, ideal for all bathroom layouts and decorative themes.

Americh shower bases are manufactured to the highest industry standards and are rigidly inspected both during fabrication and prior to shipment. Our products are designed for longevity and when properly installed and maintained will provide years of trouble-free service.

To insure continuity of our quality standards, Americh strongly recommends that a licensed contractor perform the installation.

All Americh shower bases include a one year limited warranty from time of purchase.

Care and Maintenance Instructions

Soap residues and mineral deposits are the enemies of your shower base, particularly in areas where there is hard water. However, by cleaning your Americh shower base at regular intervals with proper cleaning agents, you can help your shower base retain its original luster.

Important Safety Instructions

1. Carefully read and follow all instructions.
2. Although some shower bases employ a skid-resistant surface, caution should always be exercised when entering or leaving the shower.
3. Do not allow children or persons with a disability to use the shower unattended.
4. Keep all electrical appliances, such as radios and hairdryers, a safe distance from the shower.
5. Failure to comply with all instructions, requirements, and warnings contained in this manual creates a hazard and may result in serious personal injury.
6. **INSTALLER: SAVE THESE INSTRUCTIONS FOR OWNER**

Your Americh shower base is made from the highest quality acrylic material available. The hard, non-porous slip resistant surface is designed to prevent dirt build-up and resist stains better than any other plastic material. Normal cleaning is simple and easy. To maintain the exquisite new look of your shower base follow these simple steps:

- Just use warm water, a soft sponge, and mild liquid detergent or non-abrasive cleaner to wipe the surfaces clean and then rinse thoroughly. **NEVER USE ABRASIVE CLEANERS.**
- Do not allow your acrylic surface to come into contact with products such as acetone (nail polish remover), nail polish, dry cleaning solutions, lacquer thinners, gasoline, pine oil, etc.
- Remove dust and dry dirt with a soft damp cloth.
- Clean grease, oil, paint, and ink stains with isopropyl (rubbing) alcohol.
- Avoid using razor blades or other sharp instruments that might scratch the surface.

Prior to Installation

Prior to installation, check to ensure that:

- A. The installation will conform with all applicable Federal, State, and local building codes and regulations.
- B. The unit is the correct model, size, and color.
- C. This unit has not been damaged during shipping.
- D. The "notice" or "warning" tags on the unit have been read and thoroughly understood.
- E. The interior surface of the shower base will be protected during installation.
- F. If there are any issues, do not install and report the issues immediately to our factory or the authorized dealer.

****All claims for freight damage must be made to the freight carrier within 48 hours of receipt of shipment.***

Installation Instructions

Note: Be sure the opening in the sub-floor or slab is a minimum of 5" square/round and that the stub of the waste drain pipe is central with the opening and projects at least 1" above the floor (See Figure 1).

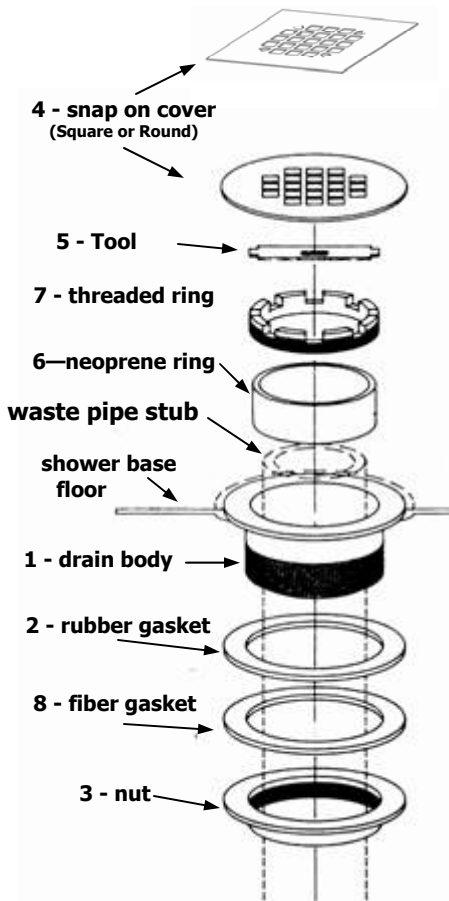


Figure 1

1. Plan the installation relative to finished wall surfaces. Take into consideration the dimensions of the shower base and the shower door to be installed.
2. The hole in the Americh shower base is 3¼" in diameter to accommodate the 2" drain fitting. (Where a 1½" waste pipe has been roughed-in, shorten the stub and attach a 1½" x 2" coupling and a 2" nipple to project at least 1" above the sub-floor or slab.)
3. Install the drain body (figure 1) on the shower base **before** installation as follows:
 - a. Place the drain body (1) through the 3¼" hole in the shower base with the threads extending through the bottom side.
 - b. Apply a generous amount of plumbers putty between drain body and shower base surface.
 - c. Place the rubber gasket (2) over the threads so that the gasket rests flush against the bottom of the shower base.
 - d. Caution: Do not overtighten (Hand tighten & wrench ¾ turn).
4. Prepare the shower base bedding compound using sufficient light-weight cement, plaster, gypsum, or fix-all to provide an even support for the entire bottom area of the shower base.
5. Place the shower base in the proper position (drain fitting over the waste pipe stub) using the floor, not the deck, as the support and carefully set it in the bedding compound (See Figures 2 & 3).
6. Using a level, check the shower base in both directions to ensure that it is level for proper drainage. Do not step on shower base while performing this operation. *Note: Let shower base set before proceeding.*
7. Bring tile or finish surface to the shower base deck. Seal edges as shown (see figures 2 & 3).
8. **See Figures 2, 3, & 4 for specific base installations.**

Figure 2

Standard Collection
Designer Collection - Square Drain Bases

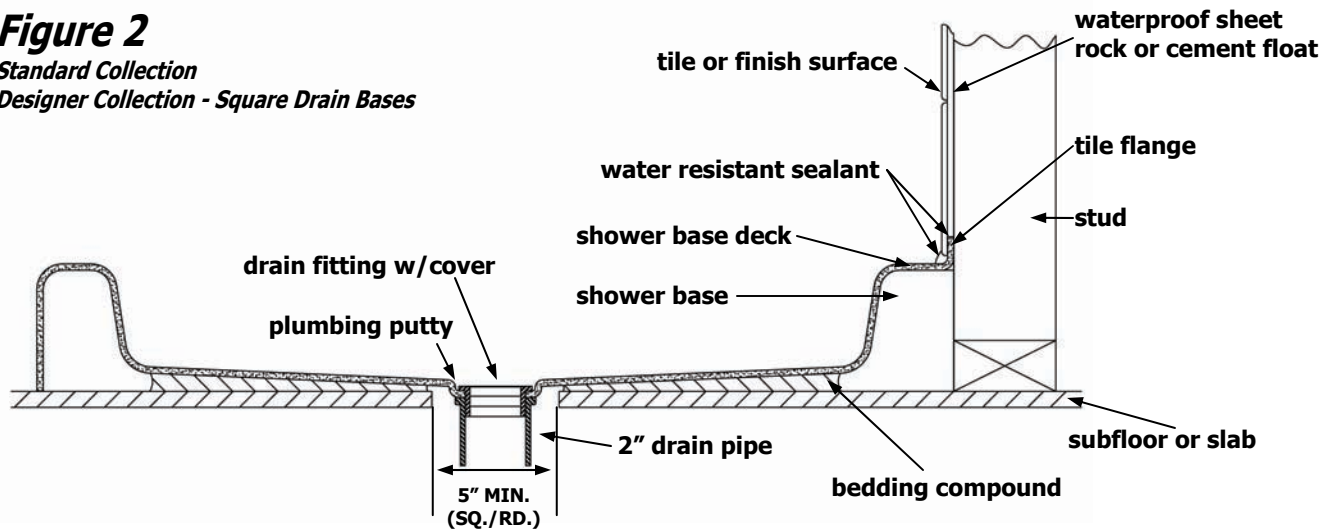
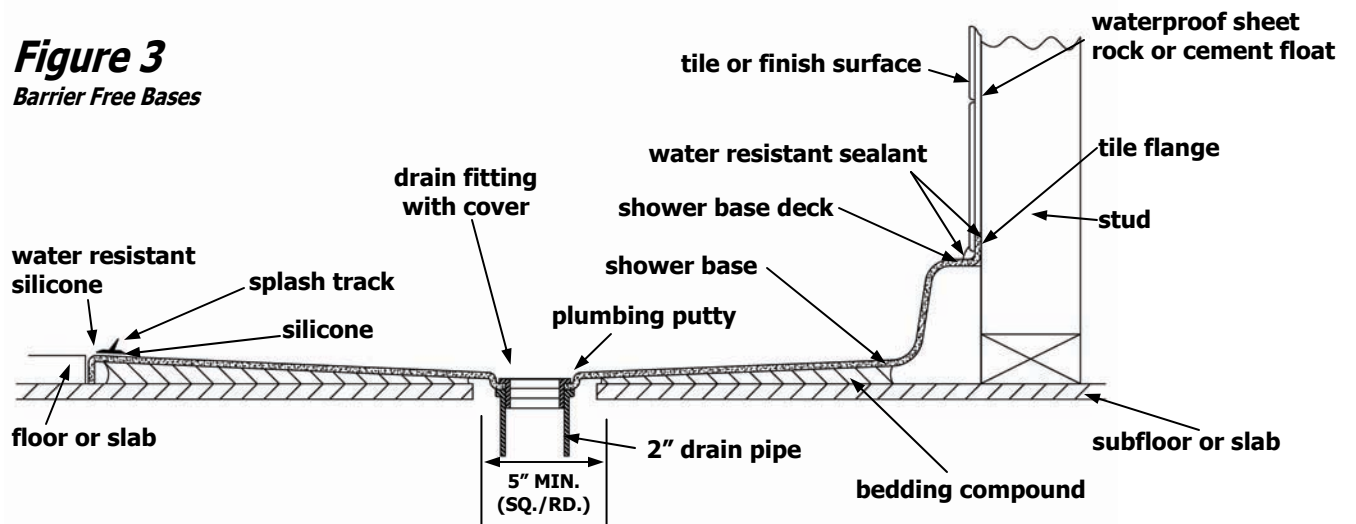


Figure 3

Barrier Free Bases



Splash Track

Barrier Free Splash Track: Install optional splash track onto shower base with silicone as shown in figure 3.

Drain Fitting

Note: Be sure the setting bed is completely dry before proceeding.

Prepare the drain joint between the waste pipe and drain fitting as follows (see items in Figure 1):

1. Coat the neoprene ring (6) with lubricant. Then press it over pipe and into drain fitting. **Caution: Do not use linseed or mineral oil lubricants.**
2. Using the tool (5) provided, screw threaded ring (7) into the drain body (1).
3. Use an internal cutter to cut waste pipe stub flush with top of threaded ring (7).
4. Press snap-on drain cover (4), round or square, onto the drain body (1).

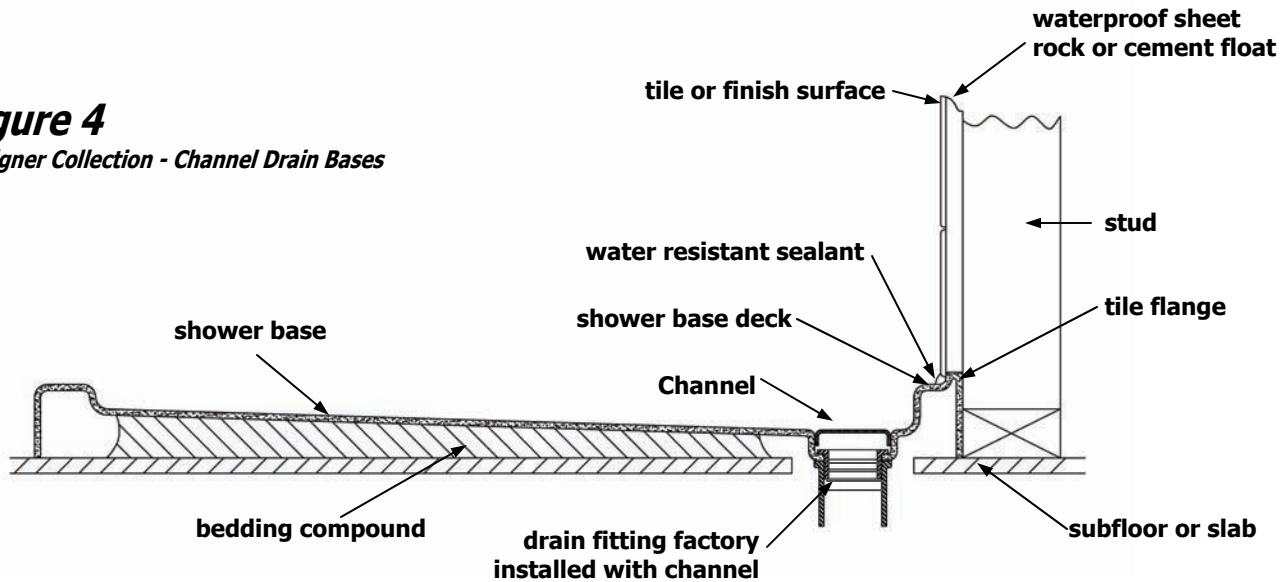
Installation Instructions

CHANNEL BASE

1. Channel shower base drains are factory installed. (See Figure 4)
2. Follow Installation Instructions 4 - 7 (see page 2).

Figure 4

Designer Collection - Channel Drain Bases



In Compliance with

ANSI Z124.1 - 1995
ASTM F462 - 79 (85)



West Coast
13212 Saticoy Street
North Hollywood, CA 91605
818.982.1711 Tel
818.982.2764 Fax

East Coast
10700 John Price Road
Charlotte, NC 28273
704.588.3075 Tel
704.588.3166 Fax

800.453.1463
www.americh.com
mkt@americh.com